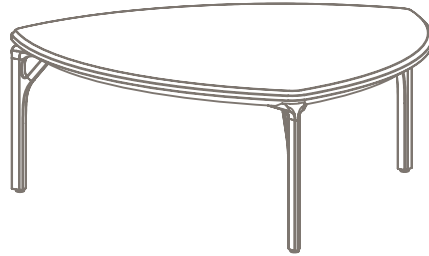


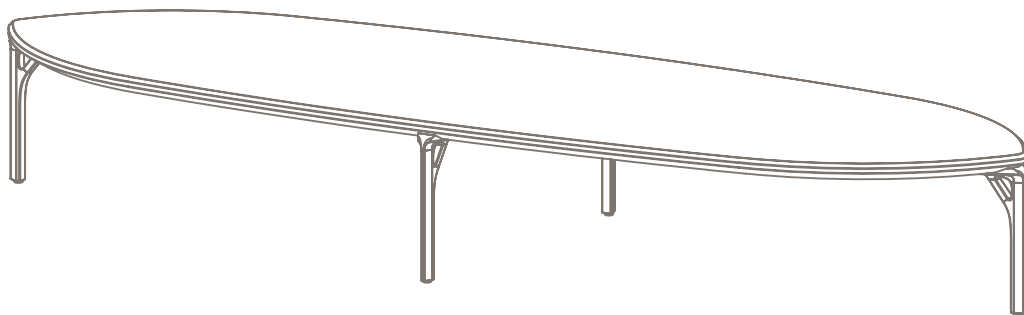
A



B



C



A



3x



9x



1x

B



4x



12x



1x

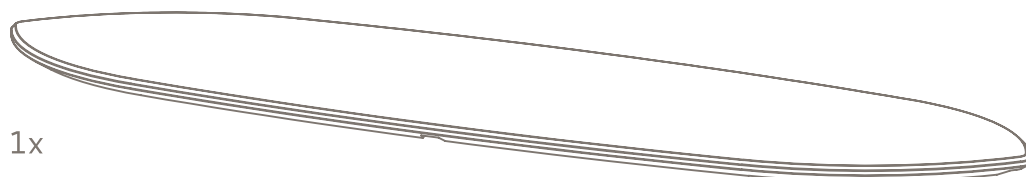
C



4x

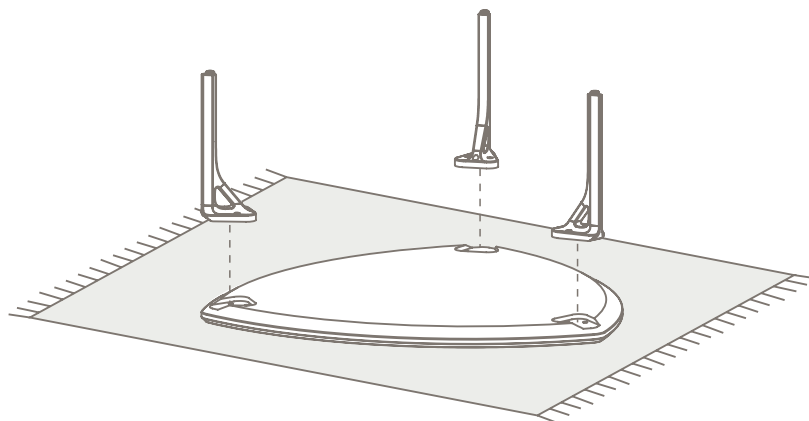


12x

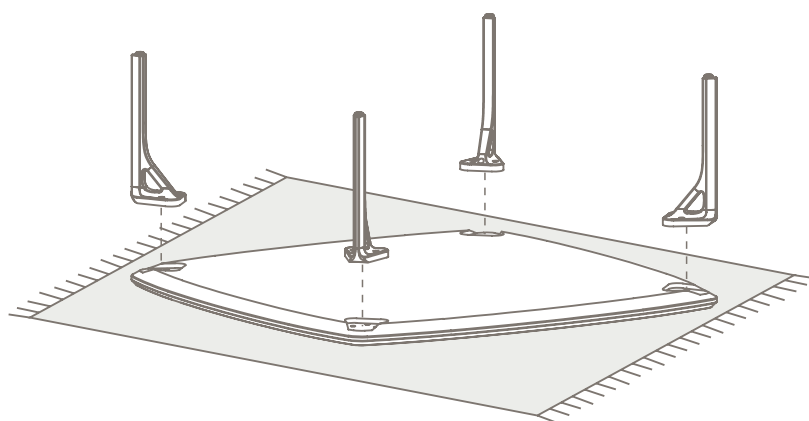


1x

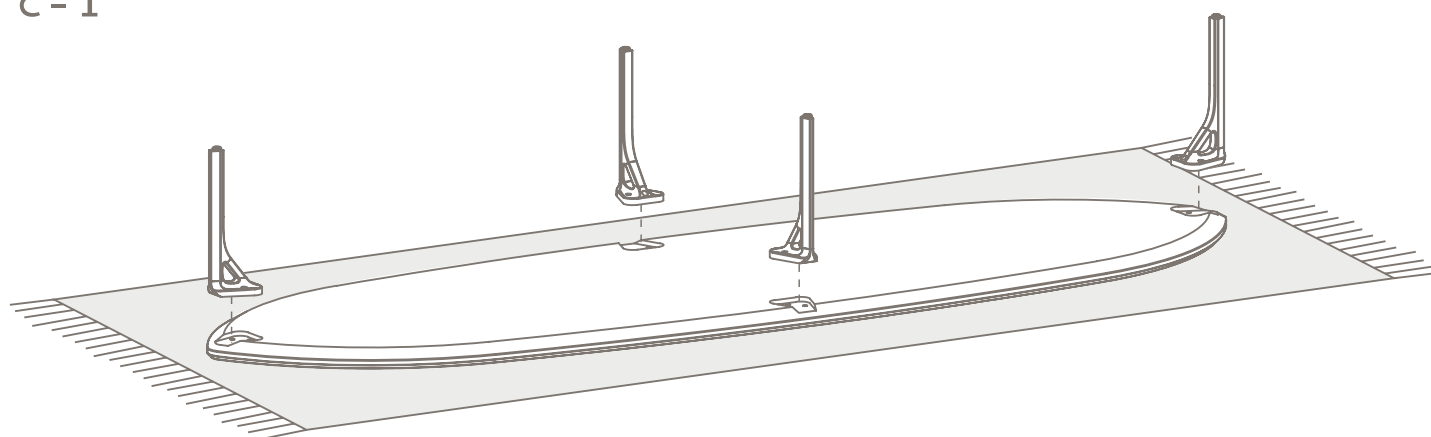
A - 1



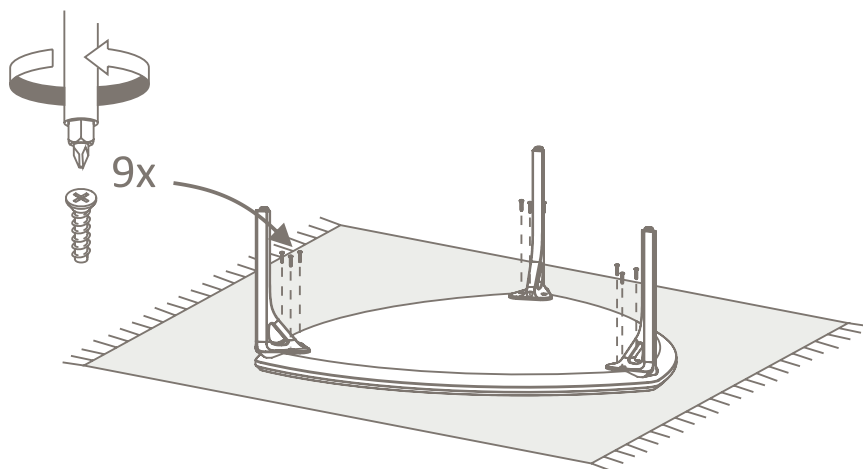
B - 1



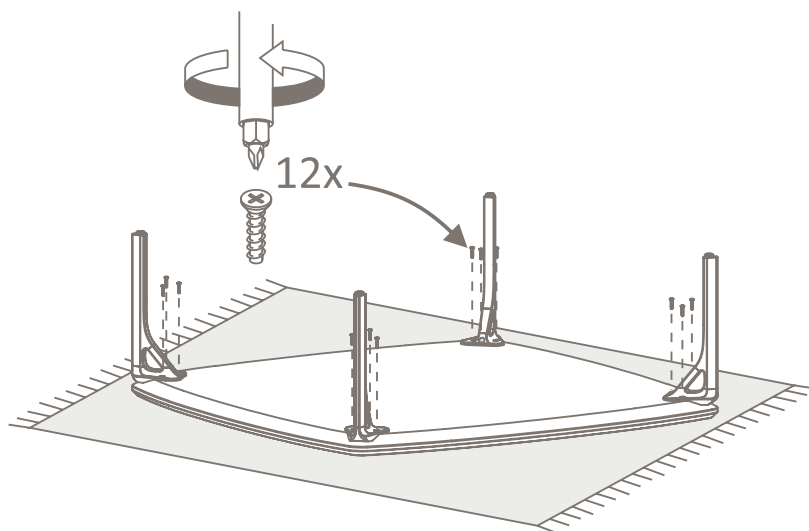
C - 1



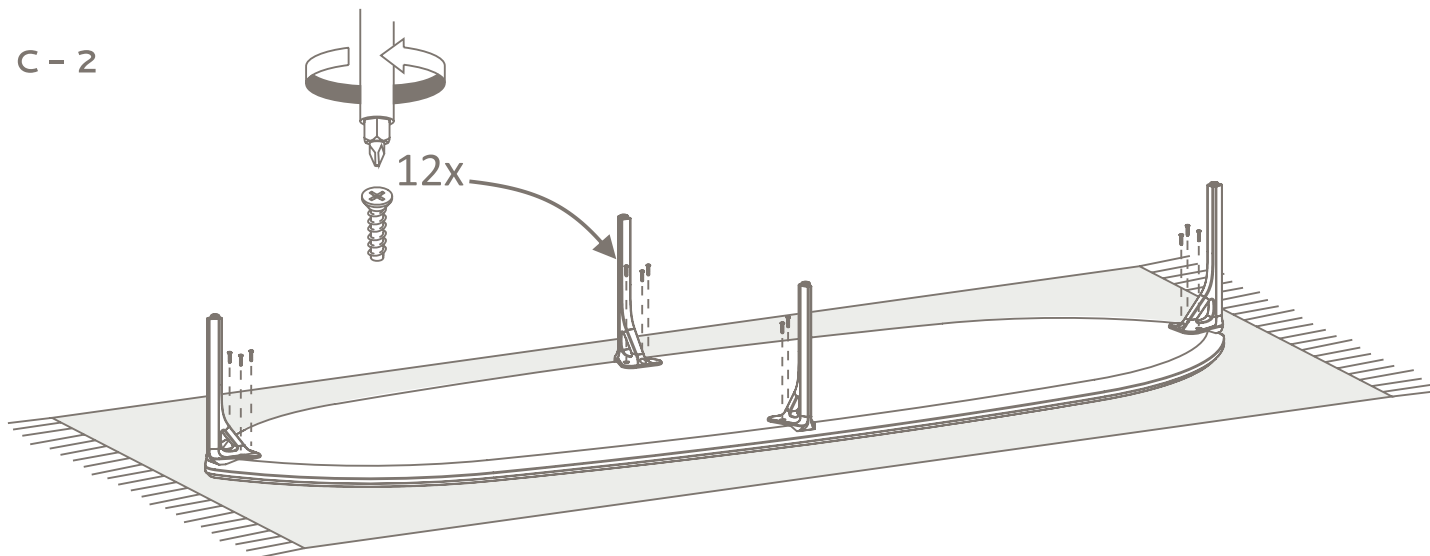
A - 2



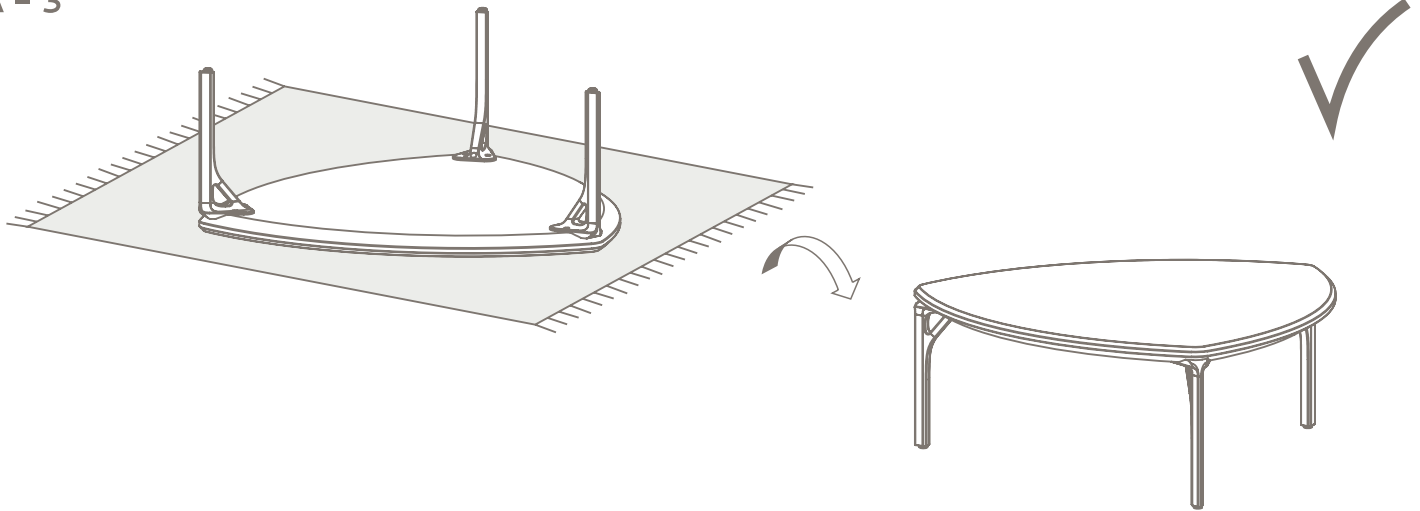
B - 2



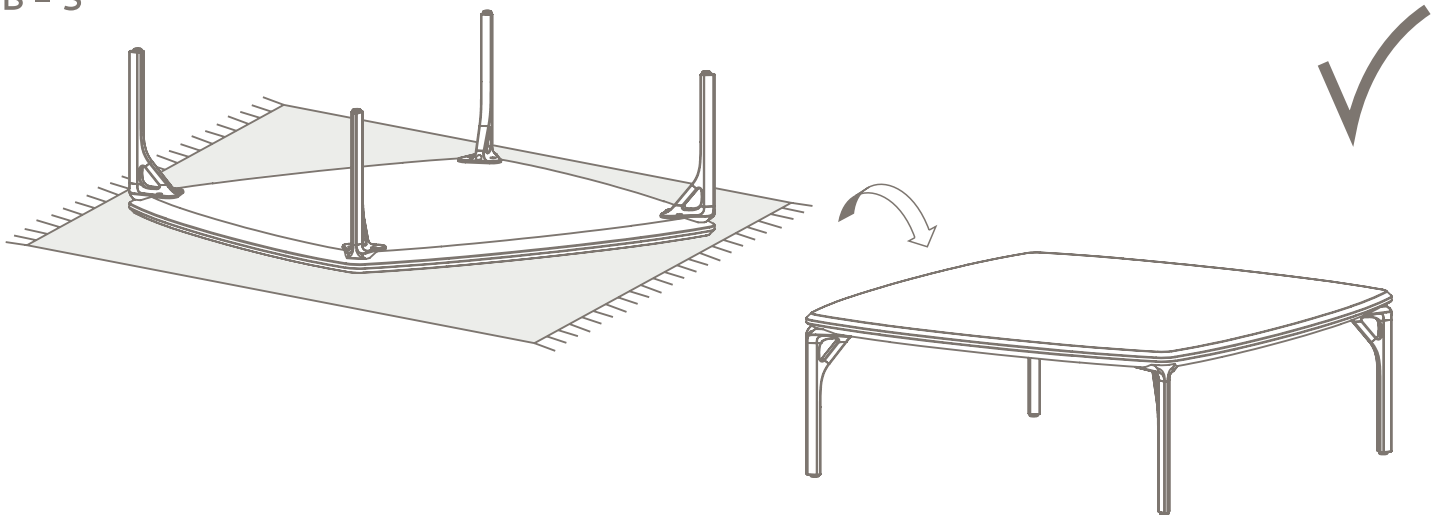
C - 2



A - 3



B - 3



C - 3

